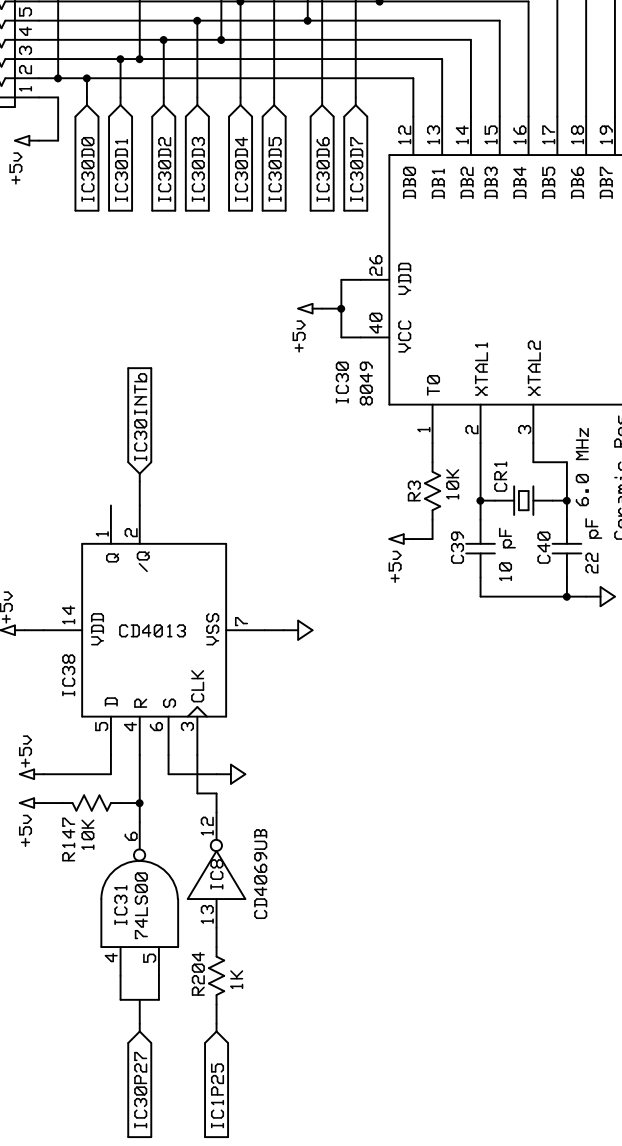
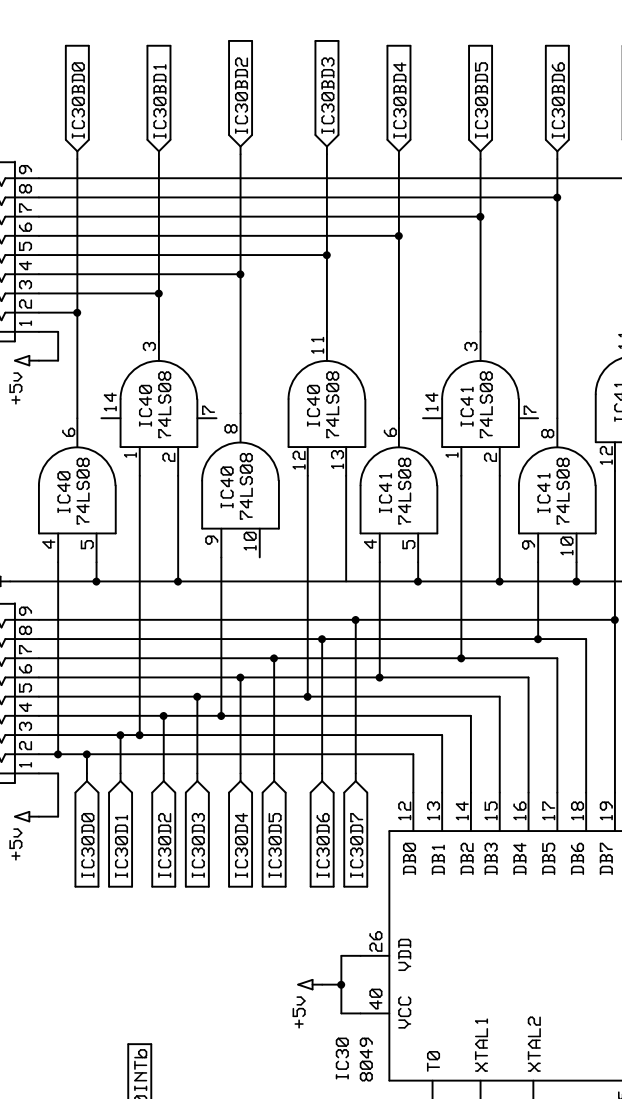


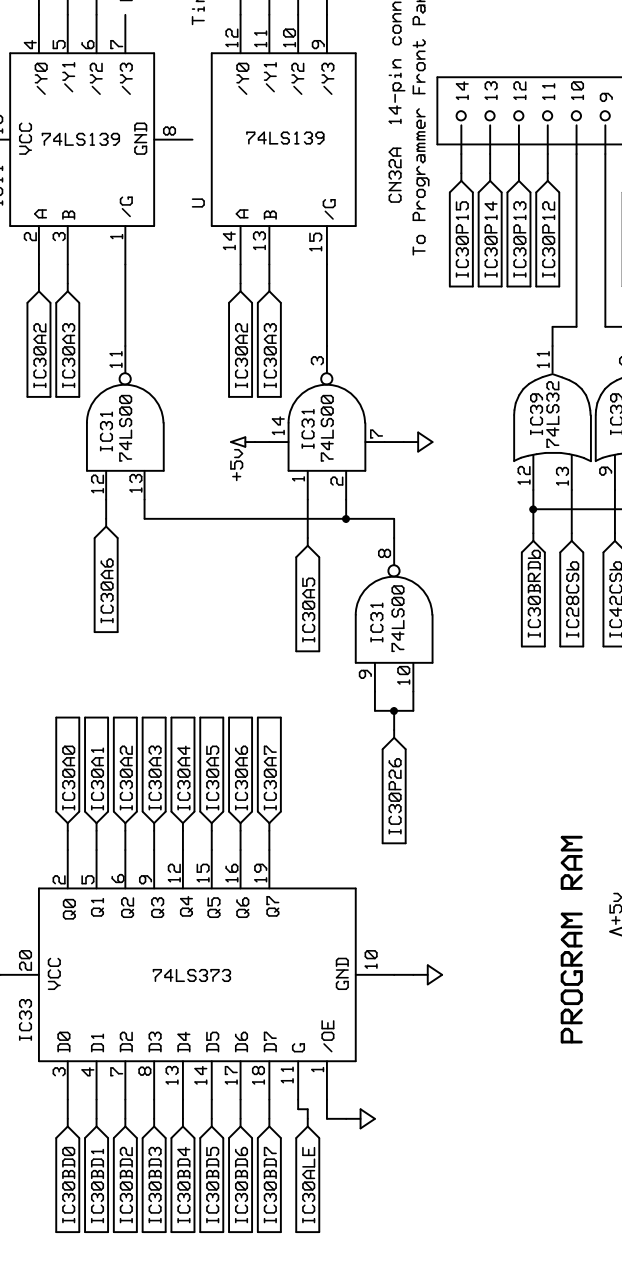
Key Assigner Interrupt To Prog MCU



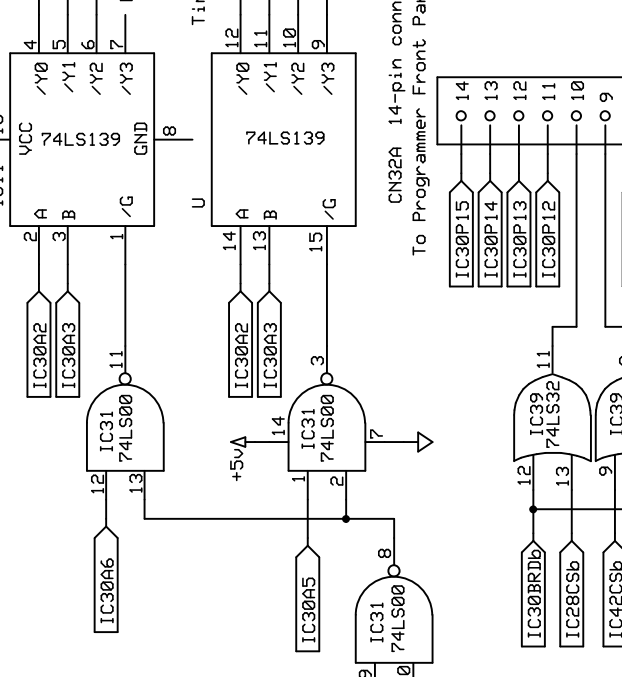
RESET GENERATOR



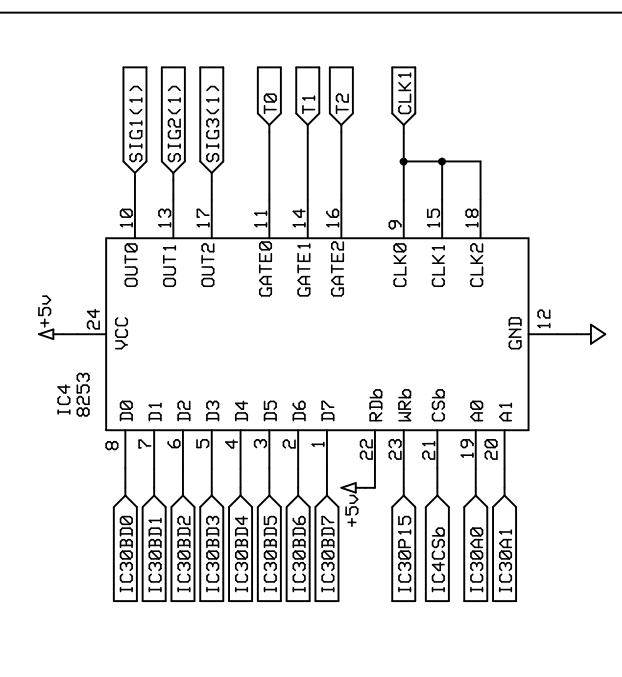
Key Assigner MCU



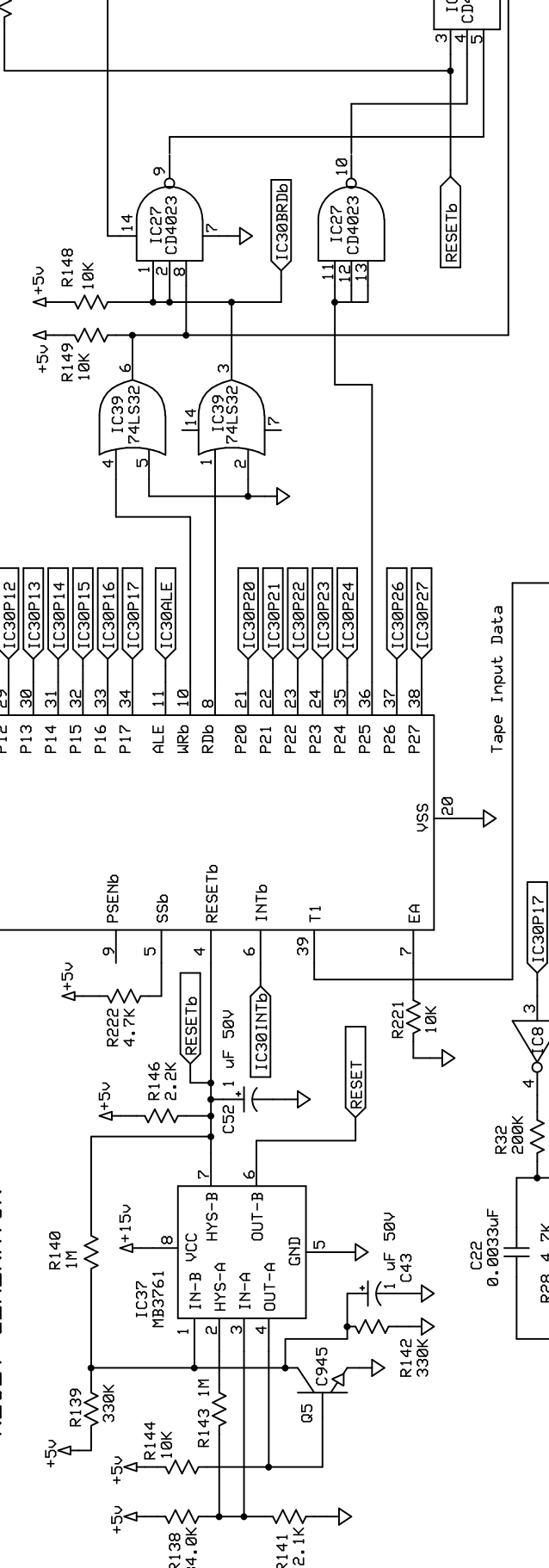
TAPE INTERFACE



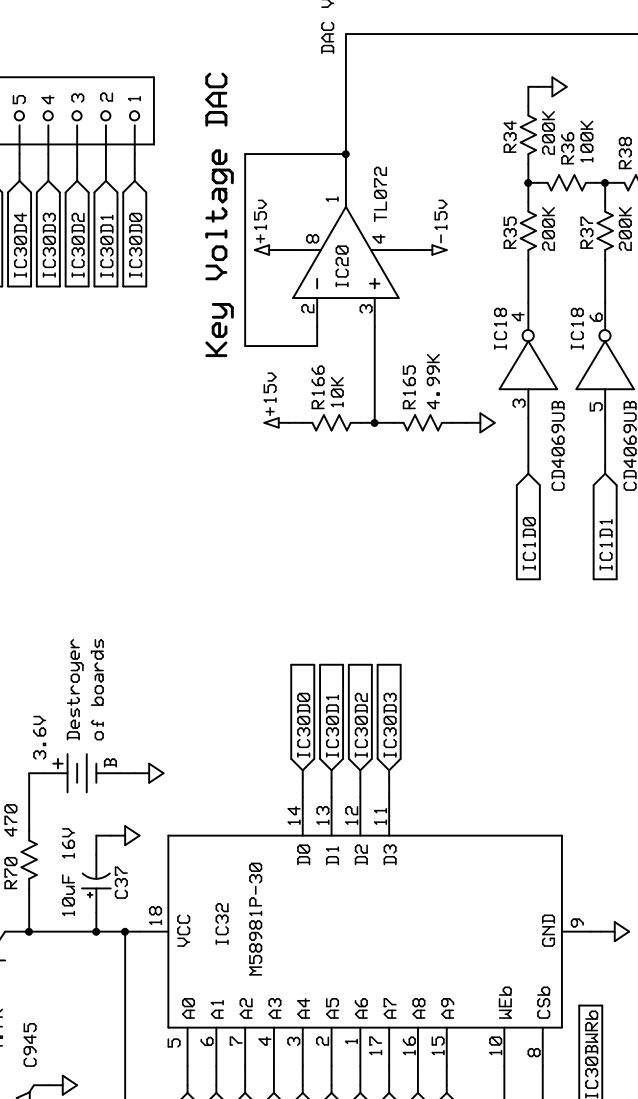
DCO CLOCK TIMERS



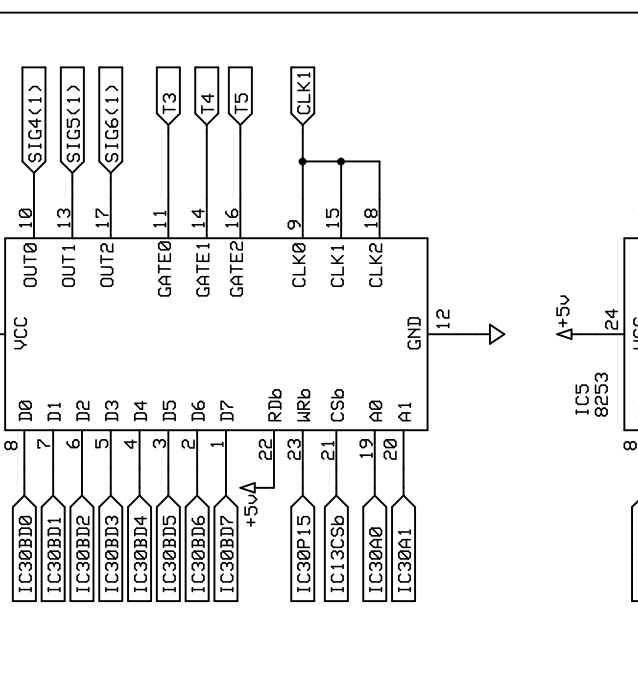
PROGRAM RAM



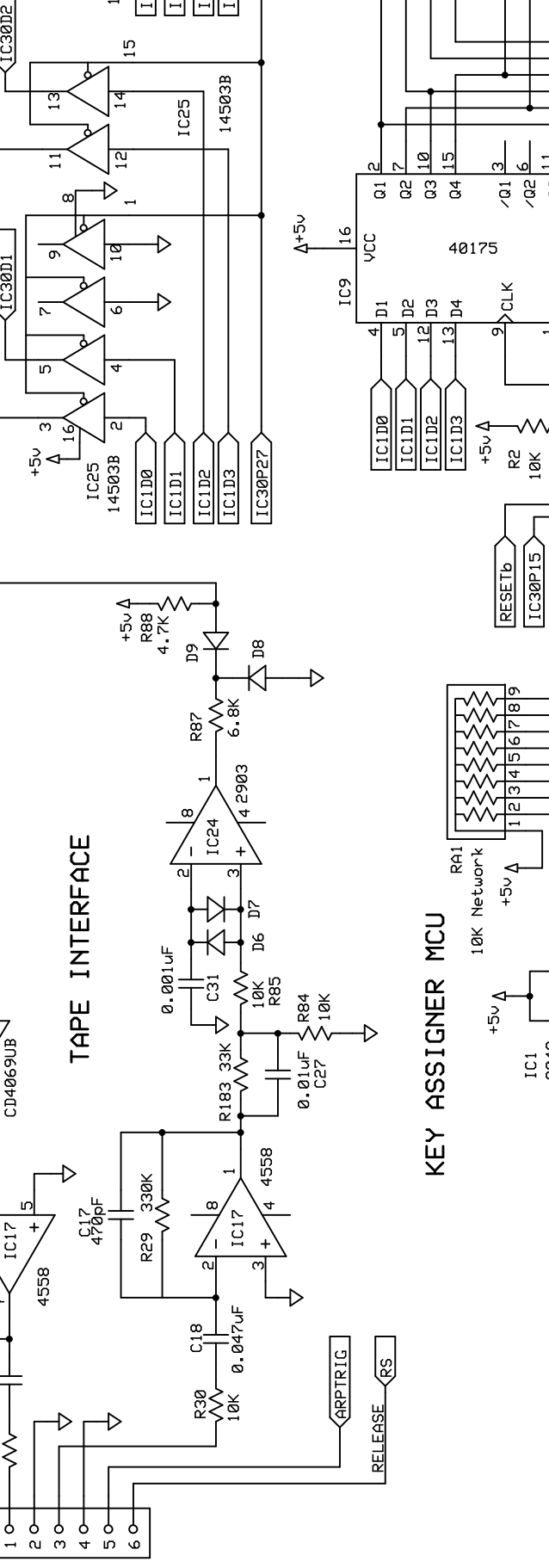
IC30 Reads Key Number



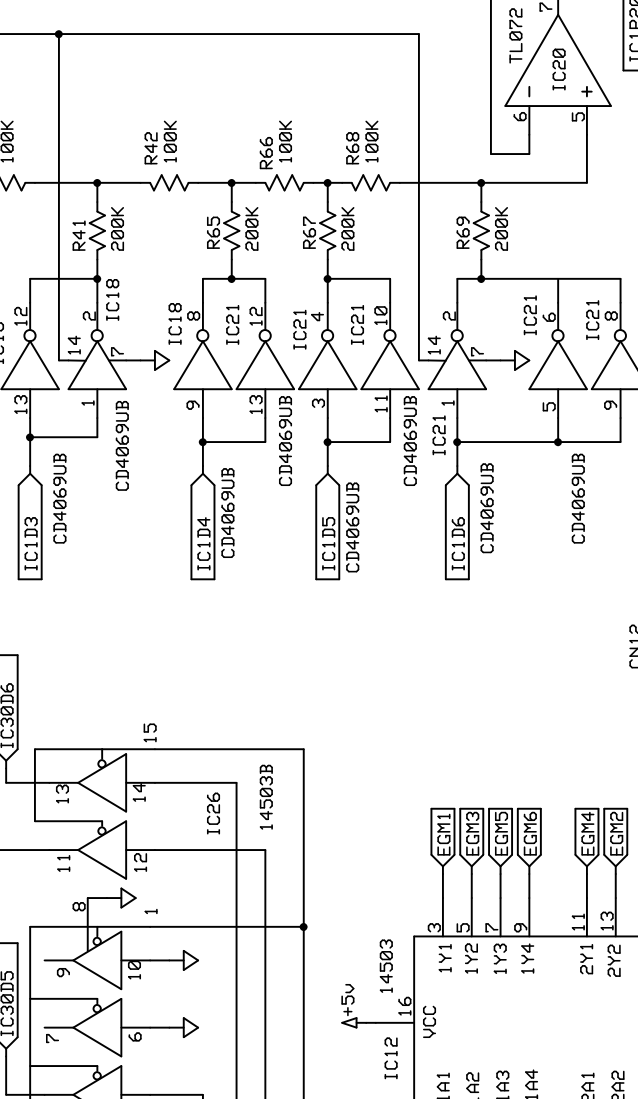
Key Voltage DAC



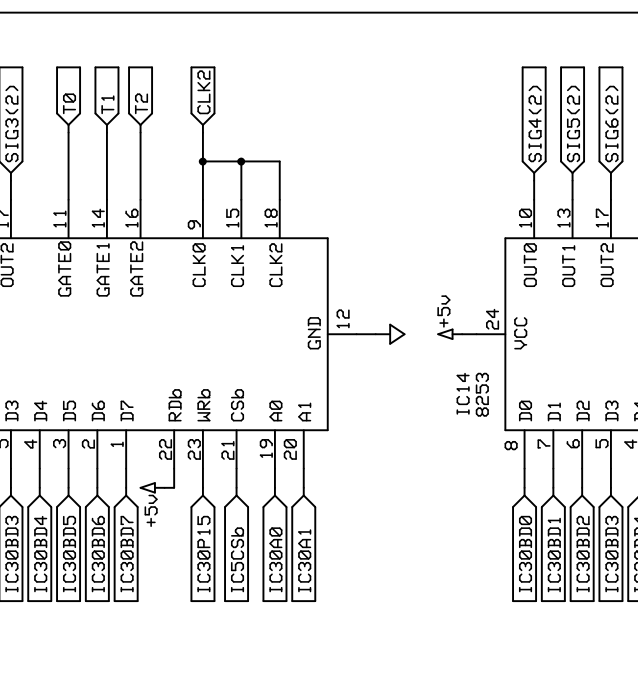
KEY ASSIGNER MCU



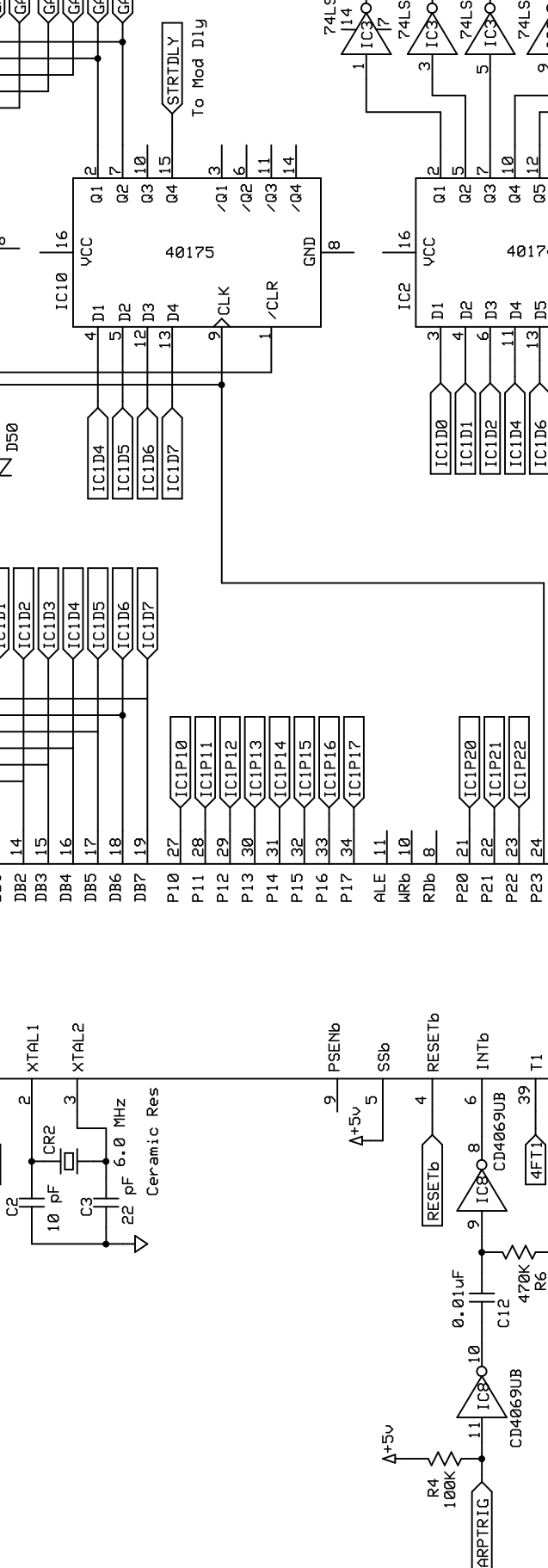
IC30 Reads Key Number



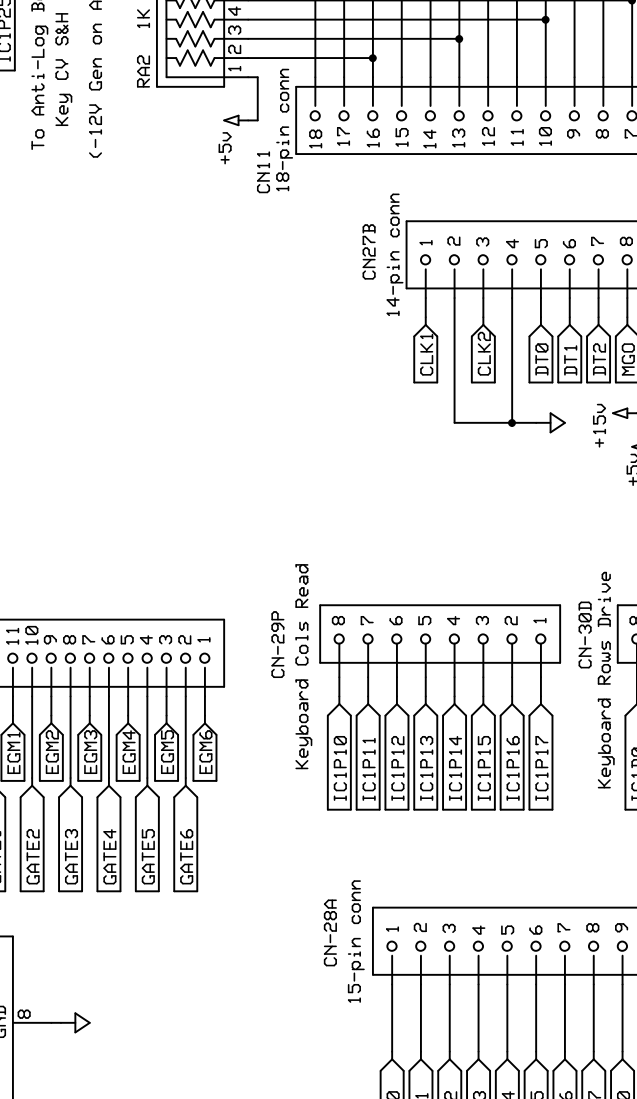
DCO CLOCK TIMERS



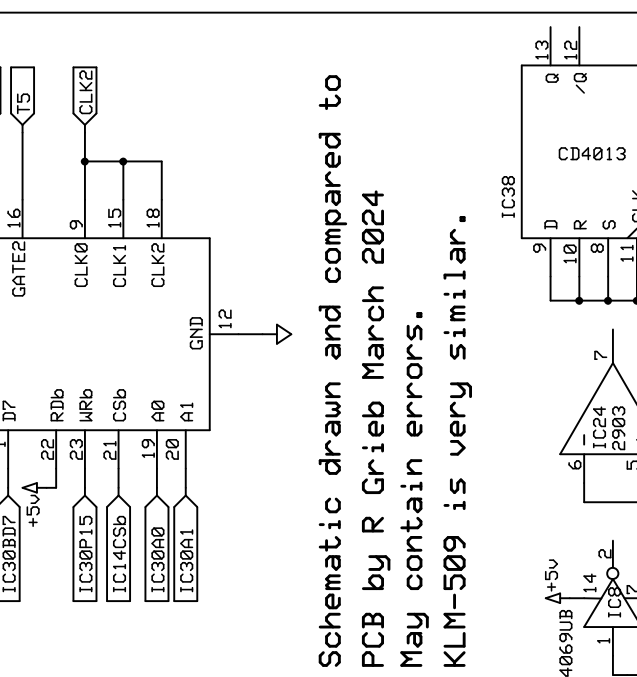
TAPE INTERFACE



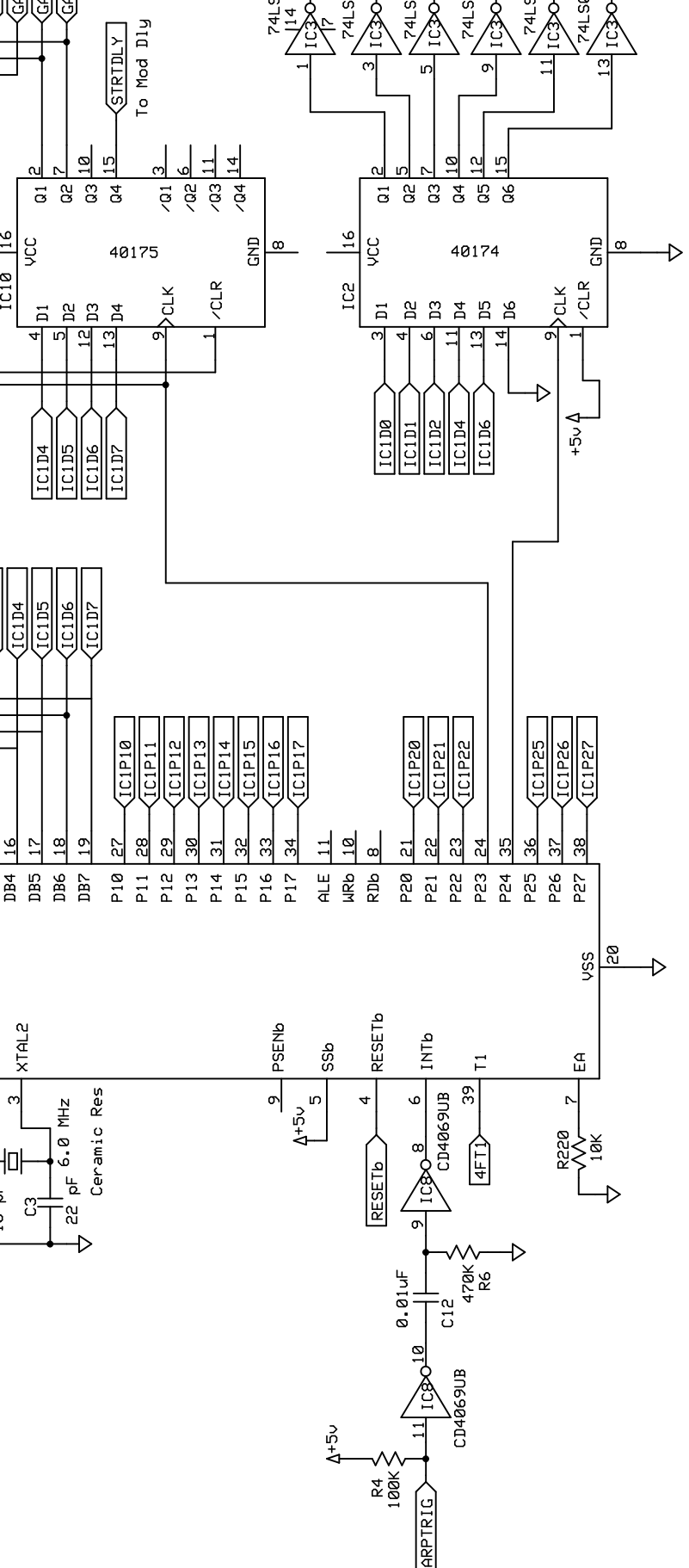
RESET GENERATOR



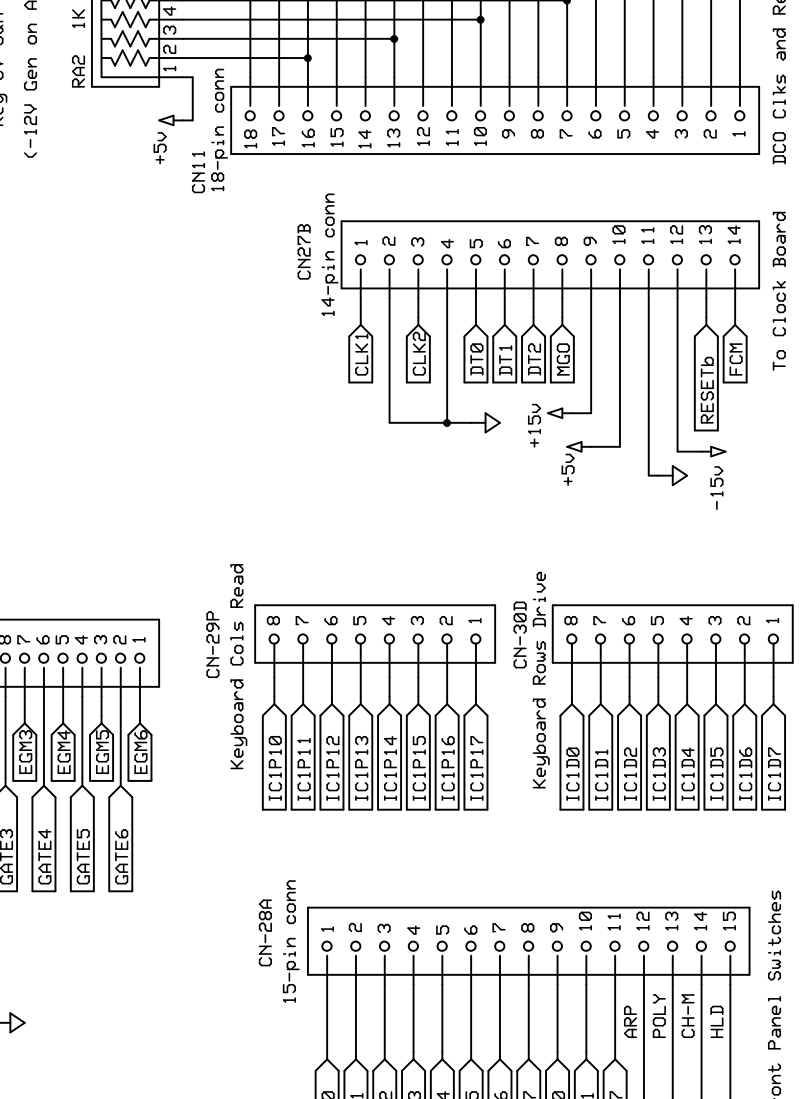
Key Assigner Interrupt To Prog MCU



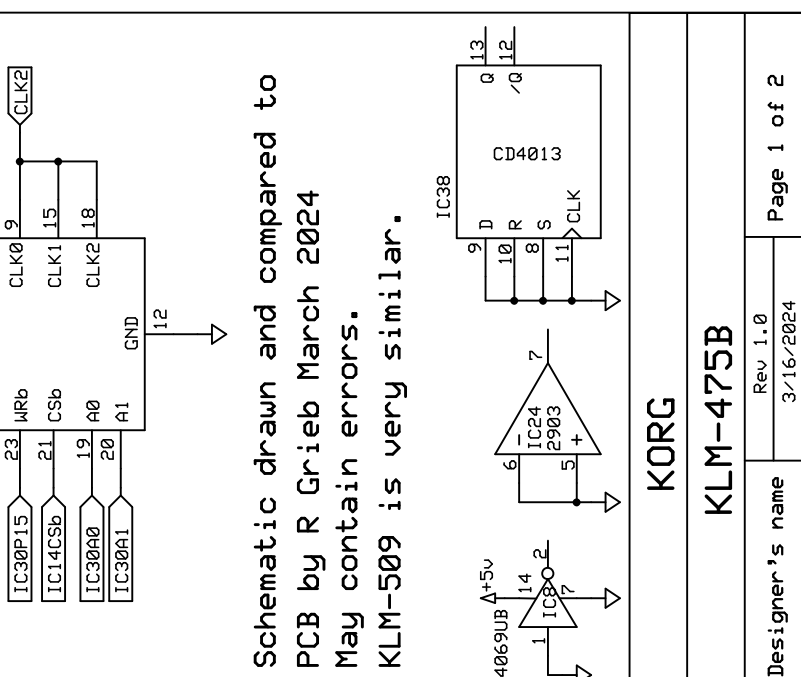
KEY ASSIGNER MCU



IC30 Reads Key Number



DCO CLOCK TIMERS



Schematic drawn and compared to PCB by R Grieb March 2024
May contain errors.
KLM-509 is very similar.

