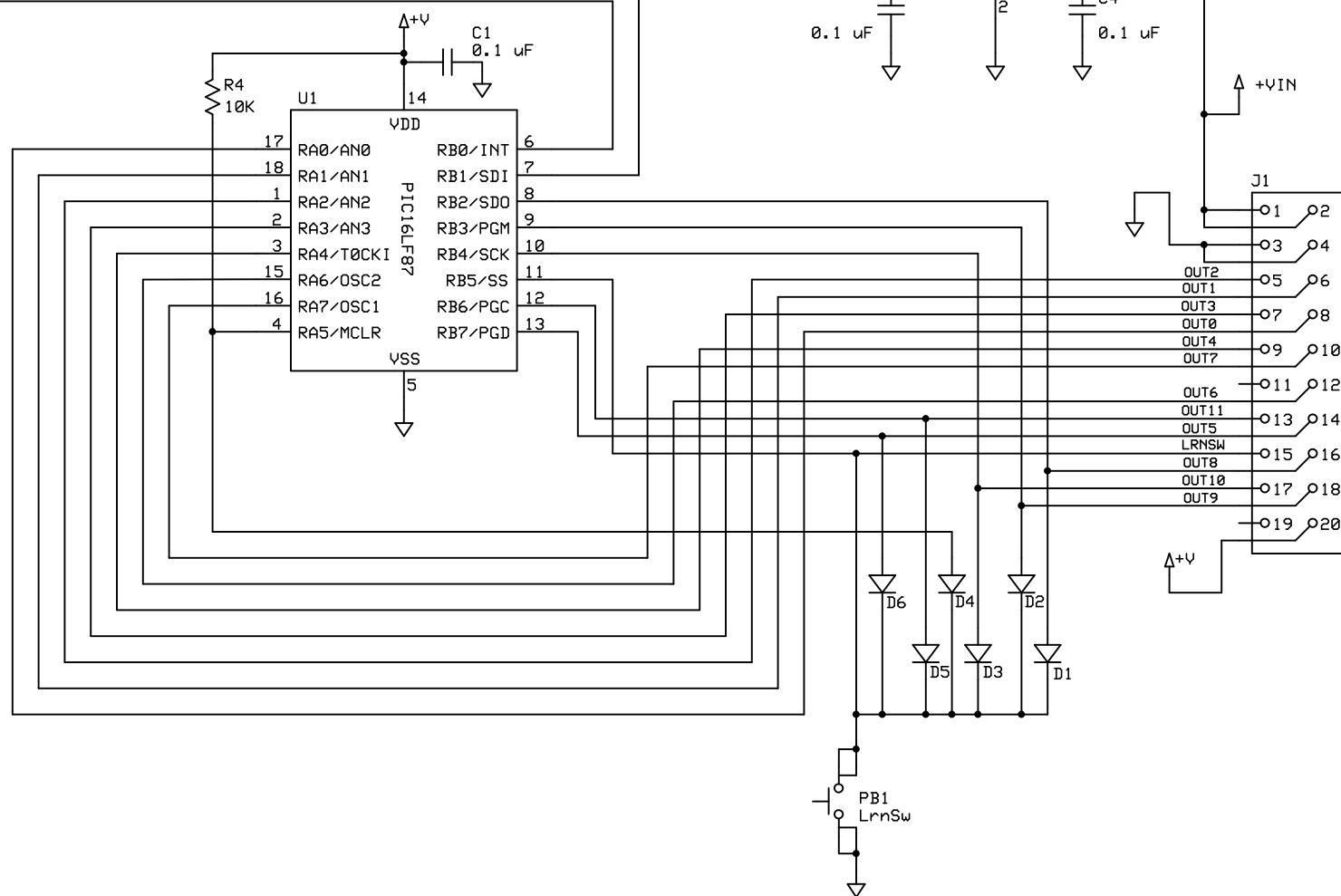
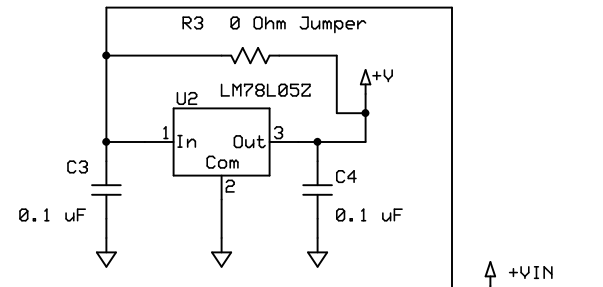


Install R3 only if voltage regulator not installed.



MCU Mode Signals:
 OUT4:0 = Code Out
 OUT6 = CVAL Strobe Out
 OUT7 = ACK Acknowledge In

D3-5 select pulse/toggle combinations:

D5	D4	D3	Behavior
IN	IN	IN	Outputs 0-1 toggle, 2-11 pulse
IN	IN	OUT	Outputs 0-3 toggle, 4-11 pulse
IN	OUT	IN	Outputs 0-3, 8-11 toggle, 4-7 pulse
IN	OUT	OUT	Outputs 0-5, 8-11 toggle, 6-7 pulse
OUT	IN	IN	Encoded output mode, 5 bits plus a strobe
OUT	IN	OUT	Outputs 0-3, 10-11 toggle, 4-9 pulse
OUT	OUT	IN	All outputs pulse
OUT	OUT	OUT	All outputs toggle

D1-2 control behavior of pulse outputs:

D2	D1	Behavior
IN	IN	Pulse length is 1000 mSec
IN	OUT	Pulse length is 500 mSec
OUT	IN	Pulse stays high until no IR for 125mS
OUT	OUT	Pulse length is 100 mSec

D6 installed enables sleep mode

TaunTek		
TinyIR2		
R. Grieb	Rev 0.4 10/12/2007	Page 1 of 1